

EROSION CONTROL

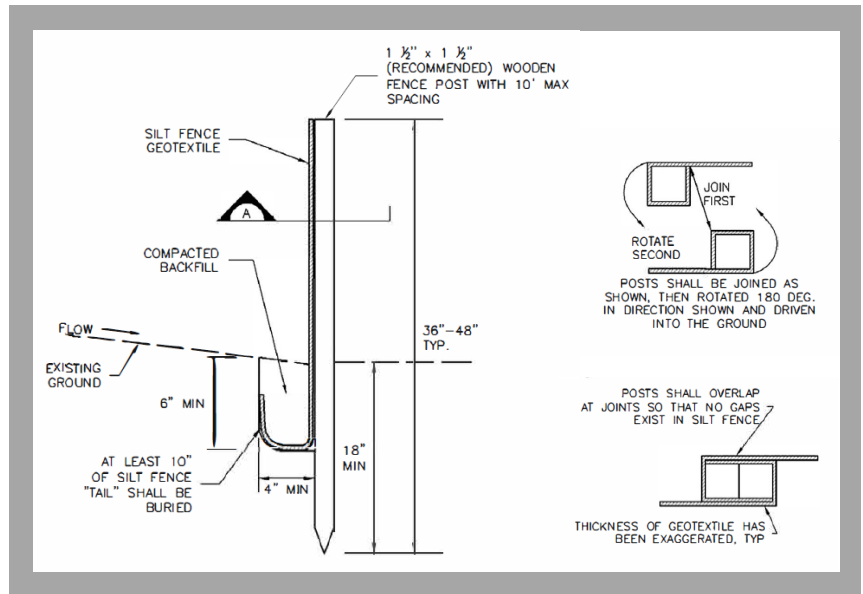
for Construction Sites

Erosion control measures:

1. Are required to minimize the amount of soil carried off the property.
2. Must be installed, inspected, and approved before any other work that disturbs the ground cover can begin.
3. Must remain in place until ground cover is re-established.

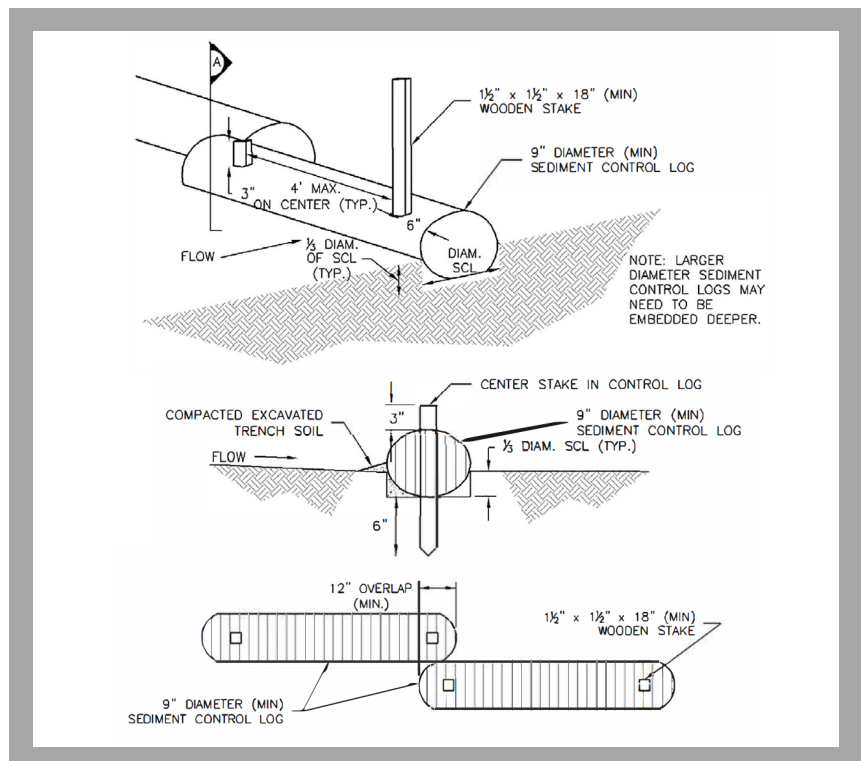
SILT FENCE

- Silt fence must be installed downhill from the disturbed areas as shown on approved plan.
- Anchor the bottom of the fence to the ground (see example).
- Remove and properly dispose of accumulated soil before it reaches 9 inches deep.



SEDIMENT CONTROL LOGS

- May be used on sites with less than 10,000 square feet of disturbed area in place of silt fence
- Secure bales/logs to the ground with stakes (see example).

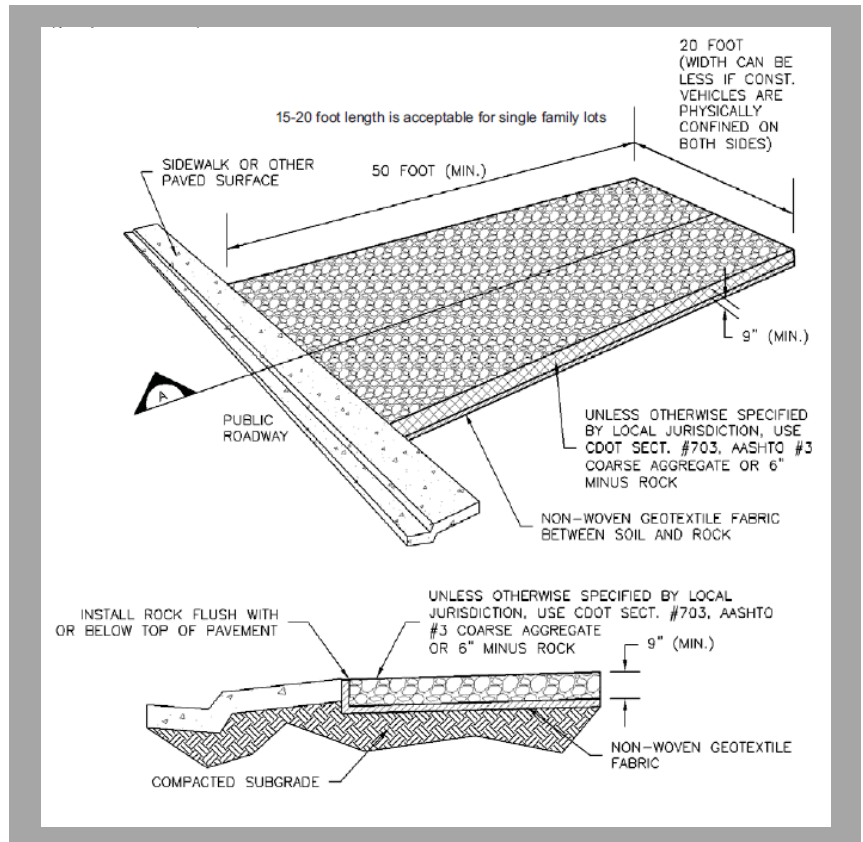


EROSION CONTROL

for Construction Sites

VEHICLE TRACKING CONTROL (VTC)

- All construction site entrances/exits must have tracking material.
- A stepped wood ramp must be used at the construction entrance when the street has a curb. Dirt or gravel ramps are prohibited.
- A VCT pad consisting of 1 1/2 inches to 3 inch aggregate must be installed at the entrance (see example).
- If the VTC pad does not remove all of the soil, then the wheels of the vehicle must be manually cleaned before leaving the property.
- Additional aggregate must be added if the VTC fills with soil.



ILLICIT DISCHARGE

An illicit discharge is any refuse that becomes suspended in, carried by, or mixed with stormwater or an allowed non-stormwater discharge.

It shall be deemed a nuisance to discharge out of, or from, or permit to flow from any structure, vehicle container or place, any liquid or substance of any kind that is not composed entirely of stormwater, into or upon any adjacent ground or lot in the City, whether public or private.

To minimize the potential for illicit discharges:

- Locate sanitary facilities for employees, away from concentrated flows.
- Store construction materials away from concentrated flows.
- Dispose and carry out materials from the site to adequate facilities, including solid waste, liquid waste, hazardous materials, and concrete truck wash-out materials.
- Properly maintain all aspects of the construction site, including silt fencing, sediment control logs, and vehicle tracking control.